

010-0700
Light Duty
Compartment Latch



This handle was designed for small compartment, access doors and tool boxes where 1/4 turn cam locking is desired. The non-locking version features a detent function in both the latched and unlatched positions.

Global Locations:

TriMark Corporation
500 Bailey Avenue
P.O. Box 350
New Hampton, Iowa 50659
United States
Tel: 641-394-3188
Fax: 641-394-2392
1-800-447-0343
www.trimarkcorp.com

TriMark Europe
Cedar Court
Walker road
Bardon Hill
Coalville LE67 1TU
United Kingdom
Tel: +44(0)1530 512460
Fax: +44(0)1530 512461
www.trimarkeu.com

TriMark (Xuzhou)
Building A5 Jingwu Road
Xuzhou Economic
Development Zone
Xuzhou, Jiangsu
221004 PR China
Tel: +86 516 8773 0018
Fax: +86 516 8773 0058
www.trimarkcn.com



TriMark. Interactive. Product. Selector



TriMark



TriMark Corporation

AVAILABLE:

- Locking configuration: keys furnished with assembly
- Non-locking configuration: detent in latched and unlatched positions
- 90° rotation

MATERIAL:

- Handle: die cast zinc alloy
- Cam: zinc plated steel

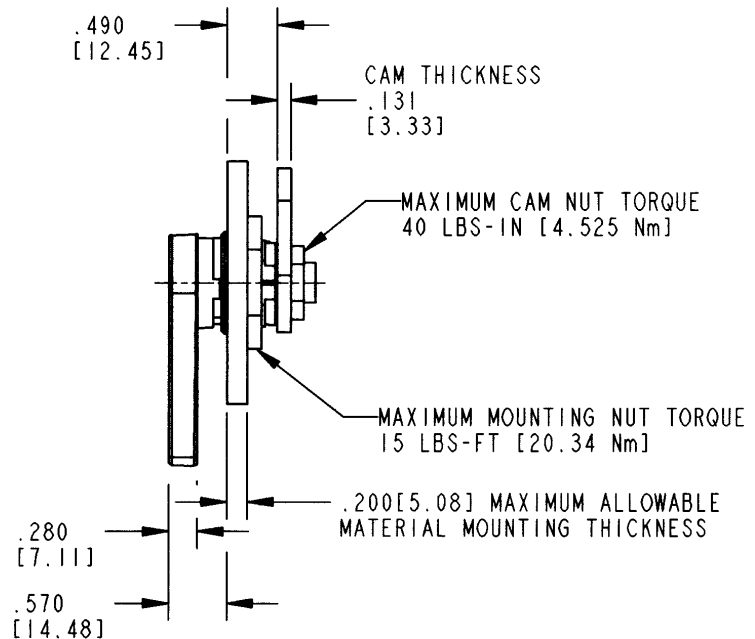
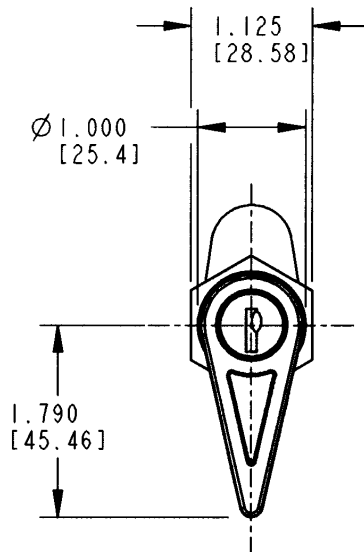
FINISH

- Copper-nickel-chrome plated
- Black powder coated

INSTALLATION:

- Supplied either fully assembled or bagged with cam and nuts packaged loose
- Removal of cam and 7/8-28 mounting nut is required for installation. IMPORTANT: Note maximum nut torque specifications below.

Individual part dimensions are for reference only. Refer to individual part drawings for complete dimensions, specifications, and installation procedures. Engineering assistance and application drawings are available.



For more information visit
www.trimarkcorp.com

